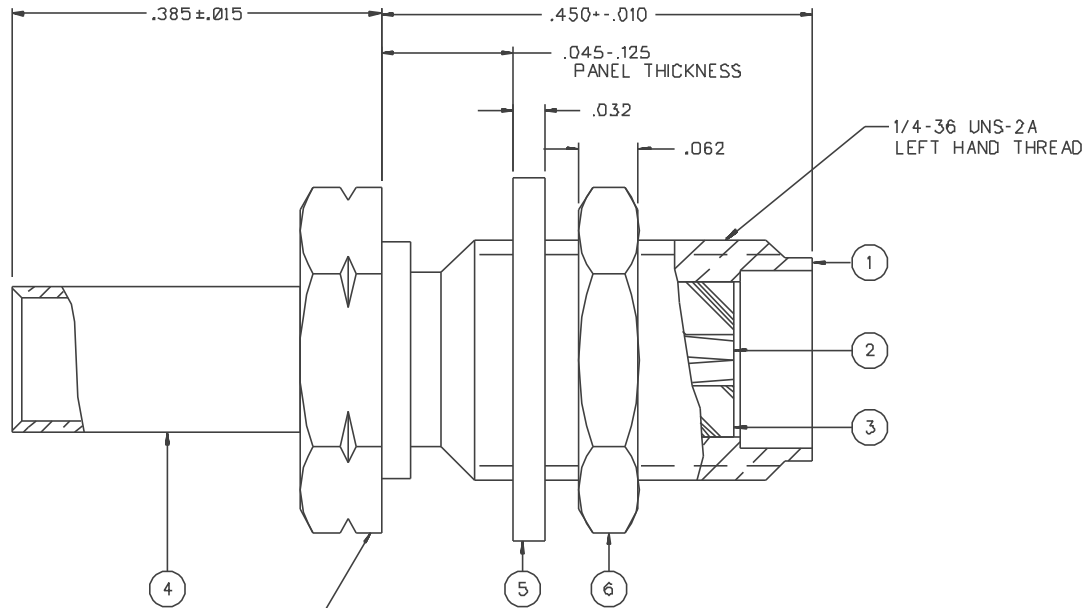


| PART NUMBER | ITEM ① BODY | ITEM ② CONTACT | ITEM ③ INSULATOR | ITEM ④ CRIMP SLEEVE | ITEM ⑤ WASHER | ITEM ⑥ NUT |
|--------------|---|--|---------------------|--|---|---|
| 142-53D3-401 | BRASS GOLD PL .00001 MIN OVER NICKEL PL .00005 MIN OVER COPPER PL .00005 MIN | BERYLLIUM COPPER GOLD PL .00005 MIN OVER NICKEL PL .00005 MIN OVER COPPER PL .00005 MIN | TEFLON | COPPER GOLD PL .00001 MIN OVER NICKEL PL .00005 MIN OVER COPPER PL .00005 MIN | BRASS GOLD PL .00001 MIN OVER NICKEL PL .00005 MIN OVER COPPER PL .00005 MIN | BRASS GREEN CHROMATE COAT OVER ZINC PL .0001 MIN OVER COPPER PL .00005 MIN |
| 142-53D3-406 | BRASS NICKEL PL .0001 MIN OVER COPPER PL .00005 MIN | BERYLLIUM COPPER GOLD PL .00005 MIN OVER NICKEL PL .00005 MIN OVER COPPER PL .00005 MIN | TEFLON | COPPER NICKEL PL .0001 MIN OVER COPPER PL .00005 MIN | BRASS NICKEL PL .0001 MIN OVER COPPER PL .00005 MIN | BRASS GREEN CHROMATE COAT OVER ZINC PL .0001 MIN OVER COPPER PL .00005 MIN |

| | |
|-------------------------------------|-------------------------------------|
| DRAWING NO. C - 142-5303-401/410 | |
| 0 | REVISIONS |
| ENGINEERING RELEASE | |
| 1 | B-21-98 R H S T R 8 8 8 8 ECN 45734 |



NOTES:

1. SPECIFICATIONS:

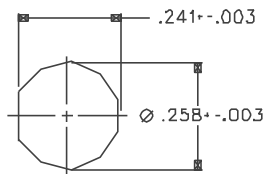
IMPEDANCE: 50 OHMS
 FREQUENCY RANGE: 0-12.4 GHz
 VSWR: 1.15-.02 F MAX (F IN GHz)
 WORKING VOLTAGE: 250 VRMS MAX AT SEA LEVEL
 DIELECTRIC WITHSTANDING VOLTAGE: 750 VRMS MIN AT SEA LEVEL
 INSULATION RESISTANCE: 5000 MEGOHM MIN
 CONTACT RESISTANCE:
 CENTER CONTACT - INITIAL 3.0 MILLIOHM MAX, AFTER ENVIRONMENTAL 4.0 MILLIOHM MAX
 OUTER CONDUCTOR - INITIAL 2.0 MILLIOHM MAX
 AFTER ENVIRONMENTAL NOT APPLICABLE
 BODY TO CABLE - 0.5 MILLIOHM MAX (GOLD PLATED)
 5.0 MILLIOHM MAX (NICKEL PLATED)
 CORONA LEVEL: 190 VOLTS MIN AT 70,000 FEET
 INSERTION LOSS: .06, F dB MAX (F IN GHz) AT 6 GHz
 RF LEAKAGE: -60 DB MIN AT 2.5 GHz
 RF HIGH POTENTIAL WITHSTANDING VOLTAGE: 500 VRMS MIN AT 4 AND 7 MHZ

MECHANICAL:

ENGAGE/DISENGAGE TORQUE: 2 INCH POUNDS MAX
 MATING TORQUE: 7-10 INCH POUNDS
 COUPLING PROOF TORQUE: NOT APPLICABLE
 COUPLING NUT RETENTION: NOT APPLICABLE
 CONTACT RETENTION: 6 LBS MIN
 CABLE ACCEPTABILITY: RG 18B/U, RG 316/U
 RG 161/U, RG 174/U
 CABLE HEX CRIMP SIZE: .12B
 CONTACT CRIMP TOOL: MIL M22520/1-01
 CABLE RETENTION: 20 LBS MIN AXIAL FORCE
 DURABILITY: 500 CYCLES MIN

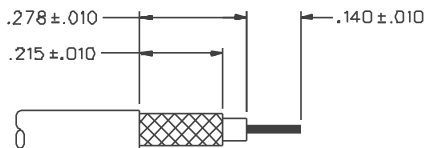
ENVIRONMENTAL:

(MEETS OR EXCEEDS THE APPLICABLE PARAGRAPH OF MIL-C-39012)
 THERMAL SHOCK: MIL-STD-202, METHOD 107, CONDITION B, EXCEPT B5 C HIGH TEMP
 OPERATING TEMPERATURE: -85 C TO 165 C
 CORROSION: MIL-STD-202, METHOD 101, CONDITION B
 SHOCK: MIL-STD-202, METHOD 213, CONDITION I
 VIBRATION: MIL-STD-202, METHOD 204, CONDITION D
 MOISTURE RESISTANCE: MIL-STD-202, METHOD 106



MOUNTING HOLE

4:1



CABLE STRIP DIMENSIONS

4:1

CUSTOMER DRAWING

THIS DRAWING TO BE INTERPRETED PER ANSI Y 14.5M - 1982

"μSTATION"

COMPANY CONFIDENTIAL

| | | | |
|--------------------------------------|--------------------|-----------------|--|
| TOLERANCE UNLESS OTHERWISE SPECIFIED | DRAWN BY SWC | DATE 6-18-98 | 299 Johnson Ave. P.O. Box 1732 Waseca, MN 56093-0832 |
| DECIMALS | CHECKED BY SWC | DATE 8-24-98 | |
| .XXX REF | APPROVED BY TAK | DATE 8-24-98 | TITLE JACK ASSEMBLY, STRAIGHT CABLED BULKHEAD LEFT HAND THREAD SMA RG 316 |
| MATL | APPROVED BY RJB | DATE 8-25-98 | CODE NO. |
| FINISH | RELEASE DATE | | DRAWING NO. C - 142-5303-401/410 |
| SCALE 10:1 | | | W/M INCH SHEET 2 OF 2 |